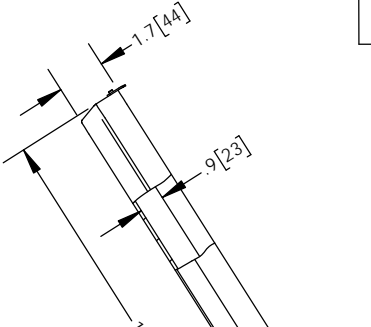
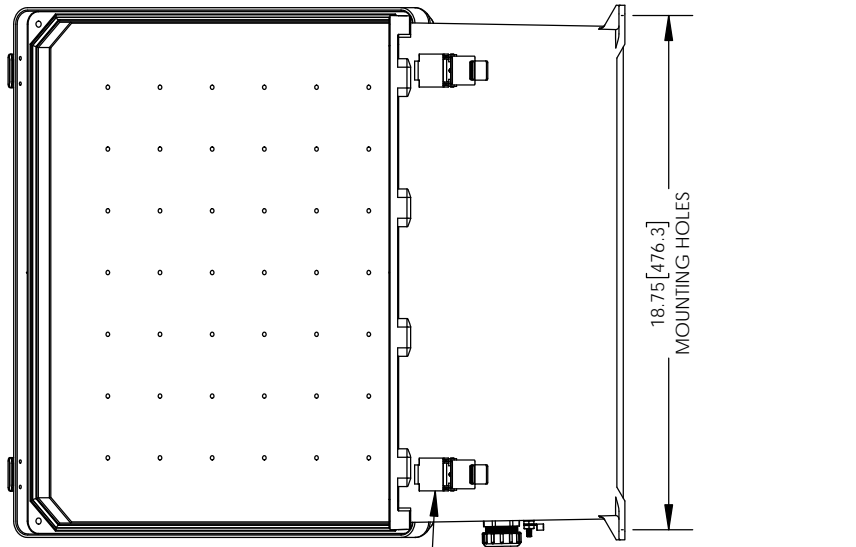
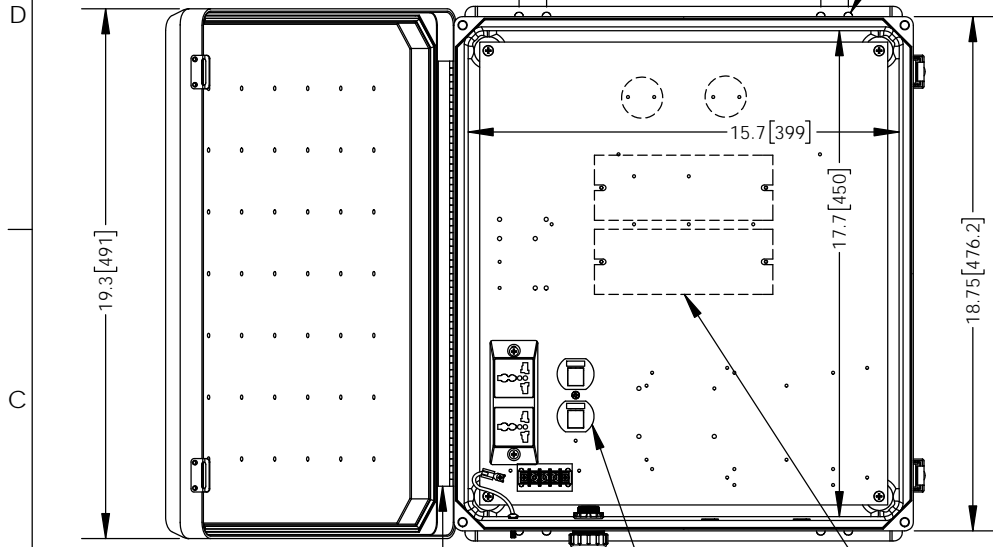


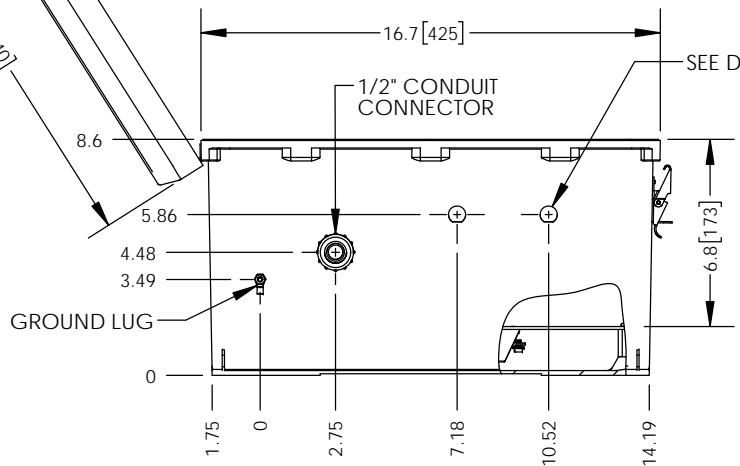
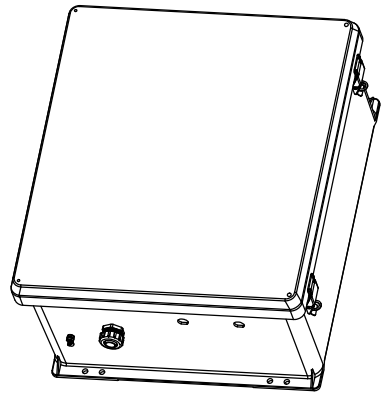
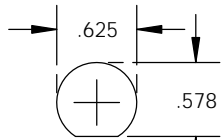
THE INFORMATION CONTAINED IN THIS DRAWING IS THE SOLE PROPERTY OF L-COM, INC. ANY REPRODUCTION IN PART OR WHOLE WITHOUT THE WRITTEN PERMISSION OF L-COM, INC. IS PROHIBITED.

REVISIONS			
REV	DESCRIPTION	DATE	APPROVED
A	INITIAL RELEASE	07/01/2013	BPUCHASKI
B	ECN 9385 ADDED DUPLEX OUTLET HOLE FILLER	08/30/2018	BPUCHASKI



- NOTE:**
- ENCLOSURE MATERIAL-GRAY (RAL7035) HOT MOLDED FIBERGLASS REINFORCED POLYESTER
  - SELF EXTINGUISHING AND HALOGEN FREE.
  - CABINETS ARE MAINTENANCE FREE AND CORROSION RESISTANT.
  - SHALL BE PACKAGED AS PER L-COM SPEC PKG-00070
  - ALL DIMENSIONS FOR REFERENCE ONLY.

**REGULATORY COMPLIANCE:**  
CE2011/65/EU(RoHS DIRECTIVE)



UNLESS OTHERWISE SPECIFIED, DIMENSIONS ARE IN INCHES [mm]  DIMENSIONAL TOLERANCES: .X = ±.1 [2.54] .XX = ±.01 [.25] .XXX = ±.005 [.13]  ANGULAR TOLERANCES: ALL = ± 1°	APPROVALS	DATE	 50 HIGH STREET NORTH ANDOVER, MA 01845			
	DRAWN BY BPUCHASKI	07/01/2013				
	CHECKED BY P.PESA	07/01/2013				
	APPROVED BY P.PESA	07/01/2013				
PROJECTION	CONFIGURATION DETAILS OF UNDIMENSIONED FEATURES MAY VARY	PRODUCT DESCRIPTION NEMA ENCLOSURE 18 X 16 X 8 WEATHERPROOF UNIVERSAL 200-240VAC W/ HEATERS	CATEGORY ENCLOSURE			
	COLOR VARIATIONS MAY OCCUR	<table border="1"> <tr> <td>SIZE <b>A</b></td> <td>CAGE CODE <b>43321</b></td> <td>DWG. NO. <b>NB181608-EH0</b></td> <td>REV. <b>B</b></td> </tr> </table>	SIZE <b>A</b>	CAGE CODE <b>43321</b>	DWG. NO. <b>NB181608-EH0</b>	REV. <b>B</b>
SIZE <b>A</b>	CAGE CODE <b>43321</b>	DWG. NO. <b>NB181608-EH0</b>	REV. <b>B</b>			
SCALE: NONE		CAD FILE: NB181608-EH0.SLDRW	SHEET 1 OF 1			